

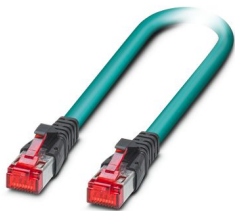
NBC-R4AC1/0,3-94G/R4AC1-BU - Patch cable



1413158

<https://www.phoenixcontact.com/us/products/1413158>

Please be informed that the data shown in this PDF document is generated from our online catalog. Please find the complete data in the user documentation. Our general terms of use for downloads are valid.



Patch cable, degree of protection: IP20, cable length: 0.3 m, number of positions: 8, 10 Gbps, CAT6_A, connection method: Pierce connection, Ethernet

Your advantages

- Perfect for industrial applications
- Perfect for office, building, and protected industrial applications (e.g., in control cabinets)
- Compact angle

Commercial data

Item number	1413158
Packing unit	1 pc
Minimum order quantity	1 pc
Sales key	AB11
Product key	ABNABH
Catalog page	Page 387 (C-2-2019)
GTIN	4046356989930
Weight per piece (including packing)	21.68 g
Weight per piece (excluding packing)	21.68 g
Customs tariff number	85444210
Country of origin	PL

1413158

<https://www.phoenixcontact.com/us/products/1413158>

Technical data

Product properties

Product type	Data cable preassembled
Sensor type	Ethernet
Number of positions	8
Connection profile	RJ45
Shielded	yes

Signaling

Status display	No
Status display present	No

Electrical properties

Rated voltage (III/3)	72 V (DC)
Nominal voltage U_N	48 V
Nominal current I_N	0.5 A
Transmission medium	Copper
Transmission speed	10 Gbps

Mechanical properties


Mechanical data

Insertion/withdrawal cycles	200
Insertion force per signal contact	50.00 N
Extraction force per signal contact	30 N

Material specifications

Outer sheath, material	PUR
------------------------	-----

Dimensions

Dimensional drawing	
Width	12.6 mm
Height	6.6 mm
Length	40.05 mm

Connection data

Connection technology

Connection method	Pierce connection
-------------------	-------------------

Conductor connection

NBC-R4AC1/0,3-94G/R4AC1-BU - Patch cable



1413158

<https://www.phoenixcontact.com/us/products/1413158>

Connection method	Pierce connection
-------------------	-------------------

Connector

Connection 1

Type	Plug straight RJ45
Shielded	yes
Degree of protection	IP20

Connection 2

Type	Plug straight RJ45
Shielded	yes
Insertion/withdrawal cycles	≥ 750
Degree of protection	IP20

Cable/line

Cable length	0.30 m
Cable structure	2x2xAWG26/7, S/FTP
Outer sheath, material	PUR
External sheath, color	water blue RAL 5021
Conductor structure signal line	6.00 mm
AWG signal line	26
Material wire insulation	PE
Shielding	S/FTP
Test voltage, cable	1000 V DC (1 minute)
Cable insulation resistance	2000 MΩ*km (500 V)
Coupling resistance	30.00 mΩ/m (30 MHz)
Smallest bending radius, fixed installation	50 mm (under load)
Smallest bending radius, movable installation	25 mm (without load)
Flame resistance	IEC 60332-1

Environmental and real-life conditions

Ambient conditions

Degree of protection	IP20
	IP20
Ambient temperature (operation)	-25 °C ... 70 °C (RJ45 connector)

Standards and regulations

Flame resistance	IEC 60332-1
------------------	-------------

Drawings

Schematic diagram



Connector pin assignment plug RJ45

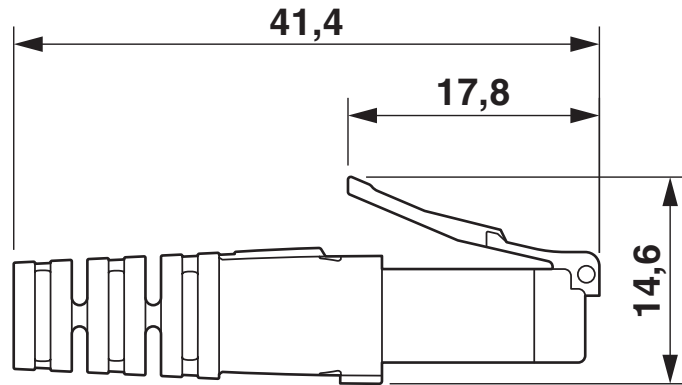
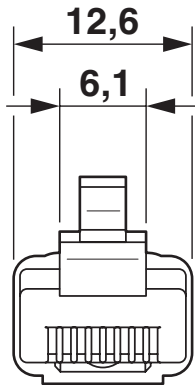
NBC-R4AC1/0,3-94G/R4AC1-BU - Patch cable



1413158

<https://www.phoenixcontact.com/us/products/1413158>

Dimensional drawing



NBC-R4AC1/0,3-94G/R4AC1-BU - Patch cable



1413158

<https://www.phoenixcontact.com/us/products/1413158>

Approvals

To download certificates, visit the product detail page: <https://www.phoenixcontact.com/us/products/1413158>



EAC

Approval ID: 19060508

NBC-R4AC1/0,3-94G/R4AC1-BU - Patch cable



1413158

<https://www.phoenixcontact.com/us/products/1413158>

Classifications

ECLASS

ECLASS-11.0	27060308
ECLASS-12.0	27060308
ECLASS-13.0	27060307

ETIM

ETIM 9.0	EC002599
----------	----------

UNSPSC

UNSPSC 21.0	26121600
-------------	----------

NBC-R4AC1/0,3-94G/R4AC1-BU - Patch cable



1413158

<https://www.phoenixcontact.com/us/products/1413158>

Environmental product compliance

China RoHS	Environmentally friendly use period: unlimited = EFUP-e
	No hazardous substances above threshold values

NBC-R4AC1/0,3-94G/R4AC1-BU - Patch cable



1413158

<https://www.phoenixcontact.com/us/products/1413158>

Accessories

NBC-R4OC/0,3-BC5/R4OC - Patch cable

1227558

<https://www.phoenixcontact.com/us/products/1227558>



Patch cable, degree of protection: IP20, cable length: 0.3 m, number of positions: 8, CAT5, connection method: Pierce connection, connection cross section: AWG 26- 26, cable outlet: straight, Ethernet

NBC-R4OC/0,5-BC5/R4OC - Patch cable

1227559

<https://www.phoenixcontact.com/us/products/1227559>



Patch cable, degree of protection: IP20, cable length: 0.5 m, number of positions: 8, CAT5, connection method: Pierce connection, connection cross section: AWG 26- 26, cable outlet: straight, Ethernet

NBC-R4AC1/0,3-94G/R4AC1-BU - Patch cable

1413158

<https://www.phoenixcontact.com/us/products/1413158>



NBC-R4OC/1,0-BC5/R4OC - Patch cable

1227560

<https://www.phoenixcontact.com/us/products/1227560>



Patch cable, degree of protection: IP20, cable length: 1 m, number of positions: 8, CAT5, connection method: Pierce connection, connection cross section: AWG 26- 26, cable outlet: straight, Ethernet

NBC-R4OC/1,5-BC5/R4OC - Patch cable

1227561

<https://www.phoenixcontact.com/us/products/1227561>



Patch cable, degree of protection: IP20, cable length: 1.5 m, number of positions: 8, CAT5, connection method: Pierce connection, connection cross section: AWG 26- 26, cable outlet: straight, Ethernet

NBC-R4AC1/0,3-94G/R4AC1-BU - Patch cable

1413158

<https://www.phoenixcontact.com/us/products/1413158>



NBC-R4OC/2,0-BC5/R4OC - Patch cable

1227562

<https://www.phoenixcontact.com/us/products/1227562>



Patch cable, degree of protection: IP20, cable length: 2 m, number of positions: 8, CAT5, connection method: Pierce connection, connection cross section: AWG 26- 26, cable outlet: straight, Ethernet

NBC-R4OC/3,0-BC5/R4OC - Patch cable

1227563

<https://www.phoenixcontact.com/us/products/1227563>



Patch cable, degree of protection: IP20, cable length: 3 m, number of positions: 8, CAT5, connection method: Pierce connection, connection cross section: AWG 26- 26, cable outlet: straight, Ethernet

NBC-R4AC1/0,3-94G/R4AC1-BU - Patch cable

1413158

<https://www.phoenixcontact.com/us/products/1413158>



NBC-R4OC/5,0-BC5/R4OC - Patch cable

1227564

<https://www.phoenixcontact.com/us/products/1227564>



Patch cable, degree of protection: IP20, cable length: 5 m, number of positions: 8, CAT5, connection method: Pierce connection, connection cross section: AWG 26- 26, cable outlet: straight, Ethernet

NBC-R4OC/7,5-BC5/R4OC - Patch cable

1227565

<https://www.phoenixcontact.com/us/products/1227565>



Patch cable, degree of protection: IP20, cable length: 7.5 m, number of positions: 8, CAT5, connection method: Pierce connection, connection cross section: AWG 26- 26, cable outlet: straight, Ethernet

NBC-R4AC1/0,3-94G/R4AC1-BU - Patch cable

1413158

<https://www.phoenixcontact.com/us/products/1413158>



NBC-R4OC/0,3-BC6A/R4OC - Patch cable

1227572

<https://www.phoenixcontact.com/us/products/1227572>



Patch cable, degree of protection: IP20, cable length: 0.3 m, number of positions: 8, 10 Gbps, CAT6_A, connection method: Pierce connection, connection cross section: AWG 26- 26, cable outlet: straight, Ethernet

NBC-R4OC/0,5-BC6A/R4OC - Patch cable

1227573

<https://www.phoenixcontact.com/us/products/1227573>



Patch cable, degree of protection: IP20, cable length: 0.5 m, number of positions: 8, 10 Gbps, CAT6_A, connection method: Pierce connection, connection cross section: AWG 26- 26, cable outlet: straight, Ethernet

NBC-R4AC1/0,3-94G/R4AC1-BU - Patch cable

1413158

<https://www.phoenixcontact.com/us/products/1413158>



NBC-R4OC/1,0-BC6A/R4OC - Patch cable

1227575

<https://www.phoenixcontact.com/us/products/1227575>

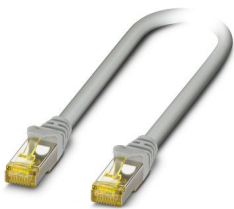


Patch cable, degree of protection: IP20, cable length: 1 m, number of positions: 8, 10 Gbps, CAT6_A, connection method: Pierce connection, connection cross section: AWG 26- 26, cable outlet: straight, Ethernet

NBC-R4OC/1,5-BC6A/R4OC - Patch cable

1227578

<https://www.phoenixcontact.com/us/products/1227578>



Patch cable, degree of protection: IP20, cable length: 1.5 m, number of positions: 8, 10 Gbps, CAT6_A, connection method: Pierce connection, connection cross section: AWG 26- 26, cable outlet: straight, Ethernet

NBC-R4AC1/0,3-94G/R4AC1-BU - Patch cable

1413158

<https://www.phoenixcontact.com/us/products/1413158>



NBC-R4OC/2,0-BC6A/R4OC - Patch cable

1227580

<https://www.phoenixcontact.com/us/products/1227580>



Patch cable, degree of protection: IP20, cable length: 2 m, number of positions: 8, 10 Gbps, CAT6_A, connection method: Pierce connection, connection cross section: AWG 26- 26, cable outlet: straight, Ethernet

NBC-R4OC/3,0-BC6A/R4OC - Patch cable

1227581

<https://www.phoenixcontact.com/us/products/1227581>



Patch cable, degree of protection: IP20, cable length: 3 m, number of positions: 8, 10 Gbps, CAT6_A, connection method: Pierce connection, connection cross section: AWG 26- 26, cable outlet: straight, Ethernet

NBC-R4AC1/0,3-94G/R4AC1-BU - Patch cable

1413158

<https://www.phoenixcontact.com/us/products/1413158>



NBC-R4OC/5,0-BC6A/R4OC - Patch cable

1227583

<https://www.phoenixcontact.com/us/products/1227583>



Patch cable, degree of protection: IP20, cable length: 5 m, number of positions: 8, 10 Gbps, CAT6_A, connection method: Pierce connection, connection cross section: AWG 26- 26, cable outlet: straight, Ethernet

NBC-R4OC/7,5-BC6A/R4OC - Patch cable

1227585

<https://www.phoenixcontact.com/us/products/1227585>



Patch cable, degree of protection: IP20, cable length: 7.5 m, number of positions: 8, 10 Gbps, CAT6_A, connection method: Pierce connection, connection cross section: AWG 26- 26, cable outlet: straight, Ethernet

NBC-R4AC1/0,3-94G/R4AC1-BU - Patch cable

1413158

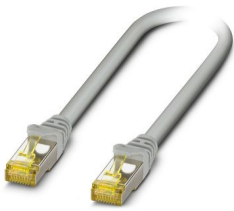
<https://www.phoenixcontact.com/us/products/1413158>



NBC-R4OC/10,0-BC6A/R4OC - Patch cable

1227588

<https://www.phoenixcontact.com/us/products/1227588>



Patch cable, degree of protection: IP20, cable length: 10 m, number of positions: 8, 10 Gbps, CAT6_A, connection method: Pierce connection, connection cross section: AWG 26- 26, cable outlet: straight, Ethernet

NBC-R4OC/12,5-BC6A/R4OC - Patch cable

1227590

<https://www.phoenixcontact.com/us/products/1227590>



Patch cable, degree of protection: IP20, cable length: 12.5 m, number of positions: 8, 10 Gbps, CAT6_A, connection method: Pierce connection, connection cross section: AWG 26- 26, cable outlet: straight, Ethernet

NBC-R4AC1/0,3-94G/R4AC1-BU - Patch cable

1413158

<https://www.phoenixcontact.com/us/products/1413158>



NBC-R4OC/15,0-BC6A/R4OC - Patch cable

1227591

<https://www.phoenixcontact.com/us/products/1227591>



Patch cable, degree of protection: IP20, cable length: 15 m, number of positions: 8, 10 Gbps, CAT6_A, connection method: Pierce connection, connection cross section: AWG 26- 26, cable outlet: straight, Ethernet

NBC-R4OC/20,0-BC6A/R4OC - Patch cable

1227593

<https://www.phoenixcontact.com/us/products/1227593>



Patch cable, degree of protection: IP20, cable length: 20 m, number of positions: 8, 10 Gbps, CAT6_A, connection method: Pierce connection, connection cross section: AWG 26- 26, cable outlet: straight, Ethernet

Phoenix Contact 2024 © - all rights reserved
<https://www.phoenixcontact.com>

Phoenix Contact USA
586 Fulling Mill Road
Middletown, PA 17057, United States
(+717) 944-1300
info@phoenixcon.com